

# State of Wyoming Corner Record

(In compliance with the **CORNER PERPETUATION AND FILING ACT**, Wyoming Statutes, 1997 Section 33-29-140 et. seq., and the Rules and Regulations of the Board of Professional Engineers and Professional Land Surveyors)

Reverse side of this form may be used if more space is needed.

Record of original survey and citation of source of historical information (if corner is lost or obliterated). Description of corner monumentation evidence found and/or monument and accessories established to perpetuate the location of this corner. Sketch of relative location of monument, accessories, and reference points with course and distance to adjacent corner(s) (if determined in this survey). Method and rationale for re-establishment of lost or obliterated corner.

Found: 3" ALUMINUM CAP FLUSH WITH GROUND MARKED AS SHOWN ON BACK.

Set: NOTHING



LATITUDE AND LONGITUDE = NAD 1983

DISTANCES = WGS84 ELLIPSOID

NOTE: COORDINATES DERIVED USING MULTIPLE NGS OBSERVATIONS THROUGH THE ONLINE POSITIONING USER SERVICE AND A SURVEY GRADE GPS RECEIVER.

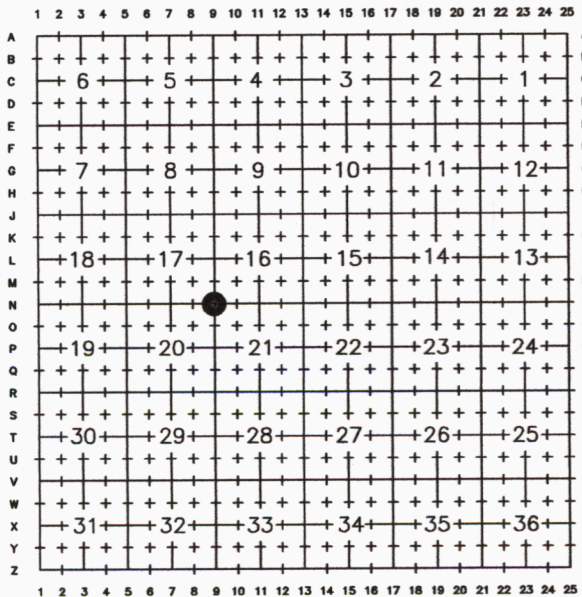
INDICATES MONUMENT THIS RECORD

Date of Field Work: JAN 26, 2013

Office Reference: 19463

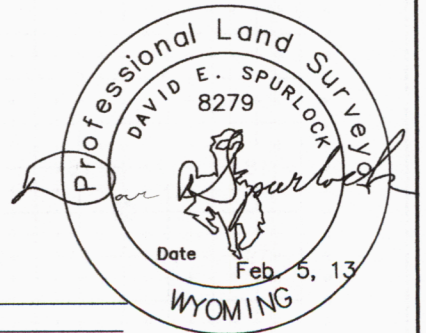
Firm/Agency, Address

### Cross Index Plat



D. R. G. and Associates Inc.  
 1414 Elk Street  
 Rock Springs, WY 82901  
 Telephone Number: 362-5028

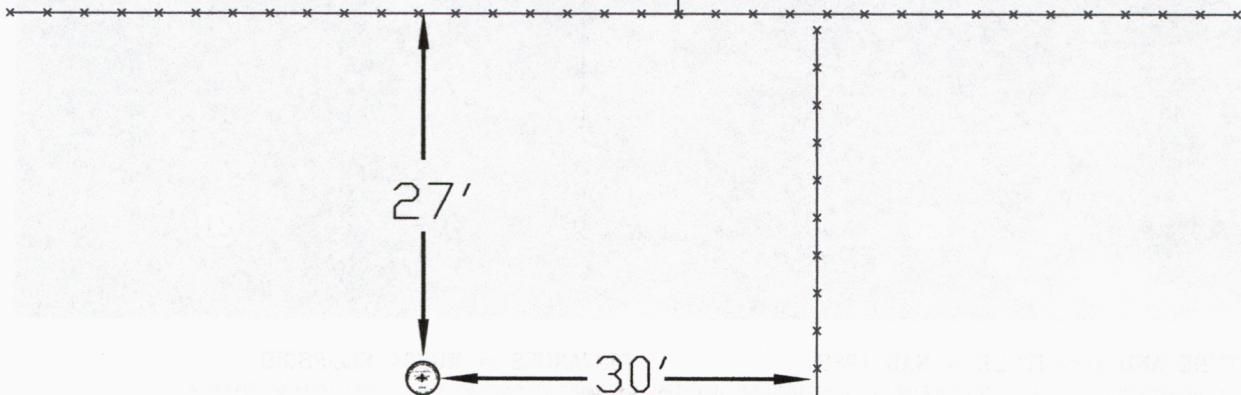
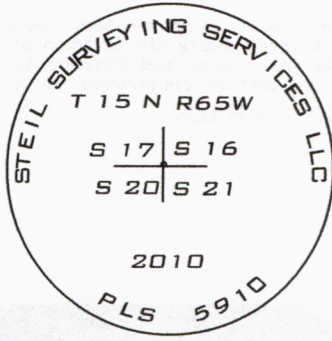
STATE OF WYOMING  
 Office of Clerk of Recorder  
 County of Laramie  
 This "corner record" was filed at \_\_\_\_\_  
 On the \_\_\_\_\_ day of \_\_\_\_\_  
 and was noted on the cross-index plat.



County Clerk \_\_\_\_\_ Deputy \_\_\_\_\_  
 County: LARAMIE, Wyoming

Corner Name: SOUTH-WEST, Section: 16, T.15N., R.65W., 6th P.M. Cross-Index No.: N9

# State of Wyoming Corner Record



**Cross Index Plat**

	1	2	3	4	5	6	7	8	9	10	11	12	13	14	15	16	17	18	19	20	21	22	23	24	25	
A	+	+	+	+	+	+	+	+	+	+	+	+	+	+	+	+	+	+	+	+	+	+	+	+	+	A
B	+	+	+	+	+	+	+	+	+	+	+	+	+	+	+	+	+	+	+	+	+	+	+	+	+	B
C	+	6	+	+	5	+	+	+	+	4	+	+	+	+	3	+	+	+	+	2	+	+	+	+	1	C
D	+	+	+	+	+	+	+	+	+	+	+	+	+	+	+	+	+	+	+	+	+	+	+	+	+	D
E	+	+	+	+	+	+	+	+	+	+	+	+	+	+	+	+	+	+	+	+	+	+	+	+	+	E
F	+	+	+	+	+	+	+	+	+	+	+	+	+	+	+	+	+	+	+	+	+	+	+	+	+	F
G	+	+	7	+	+	8	+	+	+	9	+	+	+	+	10	+	+	+	+	11	+	+	+	+	12	G
H	+	+	+	+	+	+	+	+	+	+	+	+	+	+	+	+	+	+	+	+	+	+	+	+	+	H
J	+	+	+	+	+	+	+	+	+	+	+	+	+	+	+	+	+	+	+	+	+	+	+	+	+	J
K	+	+	+	+	+	+	+	+	+	+	+	+	+	+	+	+	+	+	+	+	+	+	+	+	+	K
L	+	+	18	+	+	17	+	+	+	16	+	+	+	+	15	+	+	+	+	14	+	+	+	+	13	L
M	+	+	+	+	+	+	+	+	+	+	+	+	+	+	+	+	+	+	+	+	+	+	+	+	+	M
N	+	+	+	+	+	+	+	+	+	+	+	+	+	+	+	+	+	+	+	+	+	+	+	+	+	N
O	+	+	+	+	+	+	+	+	+	+	+	+	+	+	+	+	+	+	+	+	+	+	+	+	+	O
P	+	+	19	+	+	20	+	+	+	21	+	+	+	+	22	+	+	+	+	23	+	+	+	+	24	P
Q	+	+	+	+	+	+	+	+	+	+	+	+	+	+	+	+	+	+	+	+	+	+	+	+	+	Q
R	+	+	+	+	+	+	+	+	+	+	+	+	+	+	+	+	+	+	+	+	+	+	+	+	+	R
S	+	+	+	+	+	+	+	+	+	+	+	+	+	+	+	+	+	+	+	+	+	+	+	+	+	S
T	+	+	30	+	+	29	+	+	+	28	+	+	+	+	27	+	+	+	+	26	+	+	+	+	25	T
U	+	+	+	+	+	+	+	+	+	+	+	+	+	+	+	+	+	+	+	+	+	+	+	+	+	U
V	+	+	+	+	+	+	+	+	+	+	+	+	+	+	+	+	+	+	+	+	+	+	+	+	+	V
W	+	+	+	+	+	+	+	+	+	+	+	+	+	+	+	+	+	+	+	+	+	+	+	+	+	W
X	+	+	31	+	+	32	+	+	+	33	+	+	+	+	34	+	+	+	+	35	+	+	+	+	36	X
Y	+	+	+	+	+	+	+	+	+	+	+	+	+	+	+	+	+	+	+	+	+	+	+	+	+	Y
Z	+	+	+	+	+	+	+	+	+	+	+	+	+	+	+	+	+	+	+	+	+	+	+	+	+	Z
	1	2	3	4	5	6	7	8	9	10	11	12	13	14	15	16	17	18	19	20	21	22	23	24	25	

Corner Name: SOUTH-WEST, Section: 16, T.15N., R.65W., 6th P.M. Cross-Index No.: N9